

Kaba registration unit 90 00

Freedom of design

The Kaba registration unit 90 00 provides freedom of design: it can be built into customised or standard housings. The component fits into various European standard covers.

Functionality

In combination with the Kaba control units, this registration unit forms a secure solution for access control and, at the same time, provides convenient user identification. The Kaba registration unit informs the user acoustically and visually on the access decision.

Tampering security

The registration unit is installed at remote locations away from the reader electronics. The associated control unit can be installed in a tamper-proof room irrespective of the installation site. Communication between this registration unit and the associated control unit is encrypted and therefore offers maximum security.

Application field

The registration unit is suitable for both indoor and outdoor applications (depending on installation type).

Advantages at a glance

Freedom of choice

Visual appearance (design housing or housing provided by customer) and reading/writing properties

High security

High security through encrypted communication to the associated control device indoors

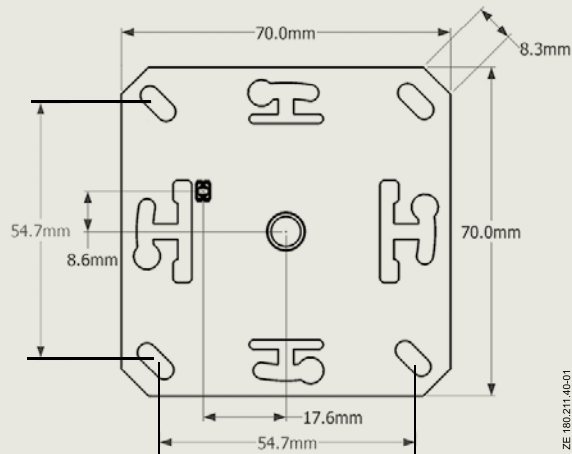
Flexible use

Installation, both indoors and outside area

Secure in the future

Ready for use with Kaba Mobile Access

Features



Covers/switch ranges:

This registration unit can be installed in most of the covers of standard switch ranges that are available in Europe (manufacturers include Feller, Jung, Merten and Gira).

Mounting:

This registration unit is suited for a flush mounting box installation.

Connection type:

- Screw terminals
- Screw adapter with M3 thread

Accessories:

For the following switch ranges, correspondingly modified covers can be supplied:

- Front Cover FE - white - IP40
- Front Cover FE - white - IP55

Compatibility:

The registration unit 90 00 can be used with various control units:

- Kaba access manager 92 00
- Kaba access manager 92 3X
- Kaba remote reader 91 15
- Kaba remote reader 91 20

Remark: The effective functions available of the product depend on the system context in which it is used.

Technical specification

Interface

- Communication via a 50Ω coaxial cable, RG 174/U (recommended),

Environmental conditions

- Operating temperature: -25° ... +70°C
- Humidity: 0% ... 95%, non-condensing

Dimensions

- 70 x 70 x ~13mm (L x W x H)

Certificates/standards

- EN 301 489-1, EN 301 489-3,
- EN 300 330-1, EN 300 330-2
- R&TTE 1999/5/EG

Further details and order information can be found in the relevant dormakaba catalogues or system descriptions.

dormakaba Deutschland GmbH
DORMA Platz 1
58256 Ennepetal
T: +49 2333 793-0
F: +49 2333 793-49 50
info@kaba.com
www.dormakaba.com