



KABA®

Product Facts

Kerberos TPB Tripod Barriers

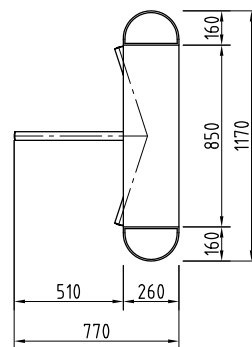
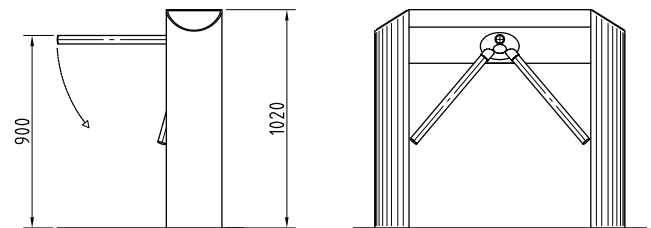
Regulation of single-file access within sight of reception staff
or automatic access control in connection with card readers.

Basic Equipment

TPB-E02



Construction	description	housing and base columns mounted as a single unit (no back plate between base columns)
	material housing	stainless steel AISI 304
	material base columns, ground plate or flange	stainless steel AISI 304
	material crossbars	stainless steel AISI 304
Finish		stainless steel satin finish
Function		type 0 * type 1.1 ** type 1.2 *** type 2 ****
Electrical Components		control system integrated in the unit power supply 110-230 VAC, 50/60 Hz standby power consumption 10 VA
Installation		dowelled on finished floor level FFL suitable for outdoor installation
Protection class		housing IP 33, components conducting supply voltage IP 43



- * type 0 manual motion; mechanically free in one direction/
opposite direction blocked
- ** type 1.1 manual motion; 1 direction electrically controlled/
opposite direction locked (both directions currentless closed)
- *** Type 1.2 manual motion; 2 directions electrically controlled
(both directions currentless closed)
- **** type 2 power assisted motion; servo-positioning drive/
2 directions electrically controlled

TPB-S03



housing with base column and base plate

aluminium
 stainless steel AISI 304
 stainless steel AISI 304
 stainless steel satin finish, aluminium lacquered according to RAL
 type 2 ****

control system integrated in the unit
 power supply 110-230 VAC, 50/60 Hz
 standby power consumption 10 VA
 dowelled on finished floor level FFL
 suitable for outdoor installation
 housing IP 33, components conducting supply voltage IP 43

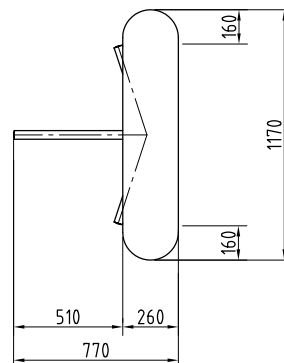
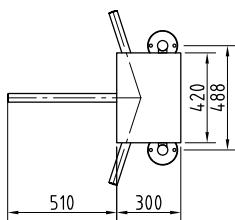
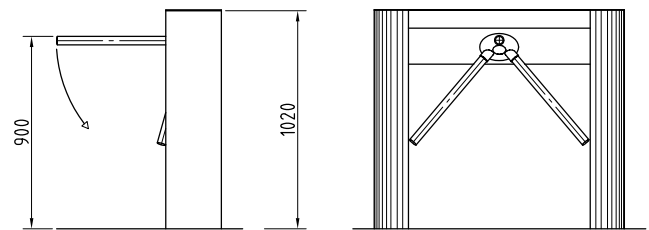
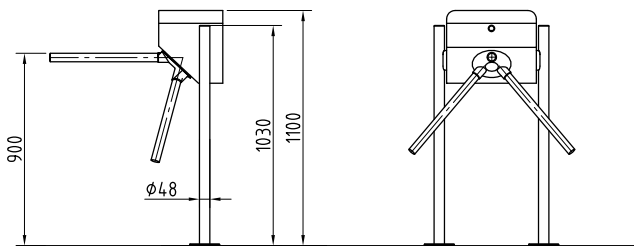
TPB-C01



housing and base columns enclosed with additional stainless steel back plate between base columns

stainless steel AISI 304
 stainless steel AISI 304
 stainless steel AISI 304
 stainless steel satin finish
 type 2 ****

control system integrated in the unit
 power supply 110-230 VAC, 50/60 Hz
 standby power consumption 10 VA
 dowelled on finished floor level FFL
 not suitable for outdoor installation

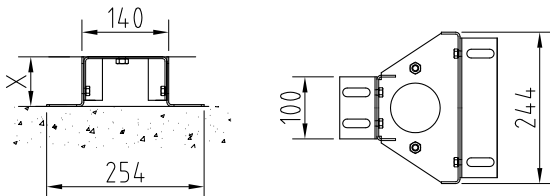


Options depending on unit type and motor assembly

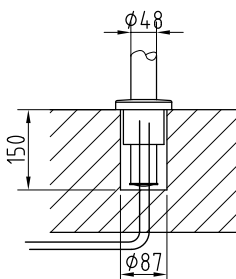
	TPB-E02	TPB-S03	TPB-C01
Construction			
• wood cover plate			•
Function			
• counter, random generator with horn	•	•	•
• emergency module with emergency push-button, additional emergency push-button available	•	•	•
• collapsible bars with type 1.1, 1.2 and 2 motor assemblies, automatic reset for type 2 units	•	•	•
Electrical Components			
• installation preparation for components provided by customer on flat surface	•		•
• push-button mounted on flat surface	•	•	•
• protection against climbing over	•		•
• operating panels and frames or housings for surface installation	•	•	•
• additional I/O boards to expand existing inputs and outputs with motor assembly type 2	•	•	•
• miscellaneous signal devices	•	•	•
• end wiring distributor (connection of max. four OPLs possible)	•	•	•
• power supply plug to supply external knots, 24 VDC/1A, for connected units	•	•	•
Installation			
• palette with stainless steel ramp and rubber covering, appr. 1,0 x 1,5 m, height 32 mm	•	•	•
• on subconstruction X = 80 - 160 mm for structural floor level	•	•	•
• with cast in clamping sleeves and rosettes for structural floor level		•	

Installation alternatives

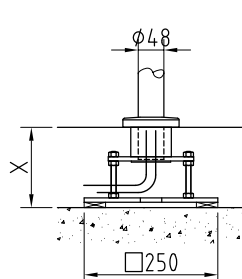
base frame TPB-E02/C01



cast-in TPB-S03

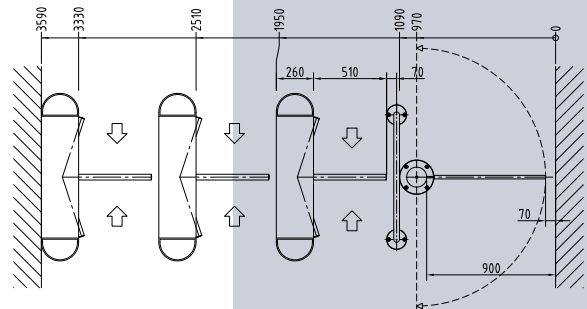
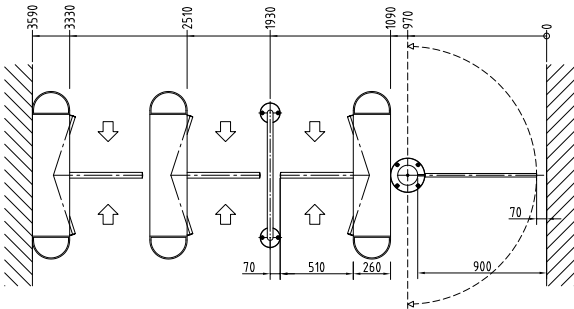
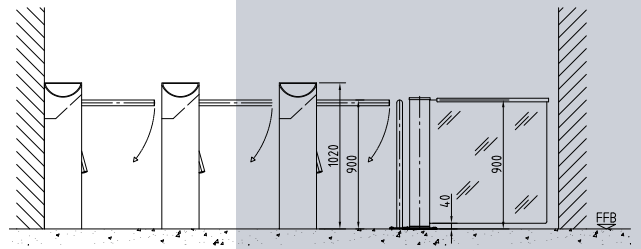
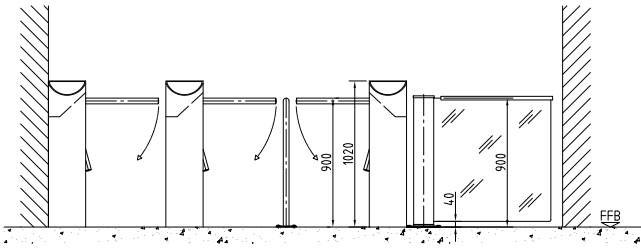


base frame TPB-S03

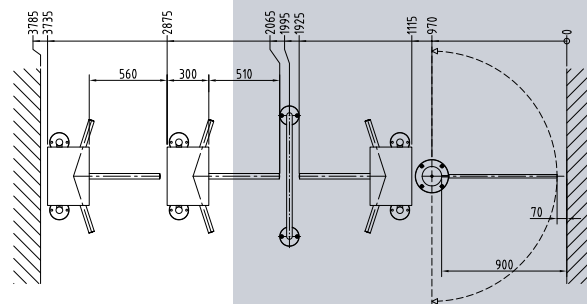
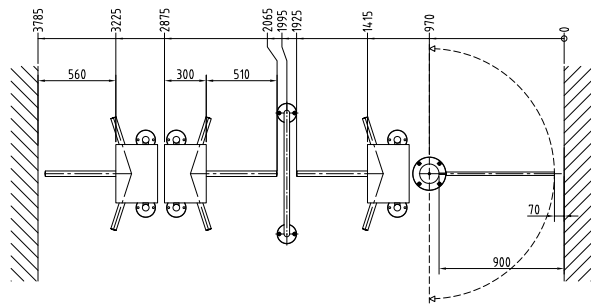
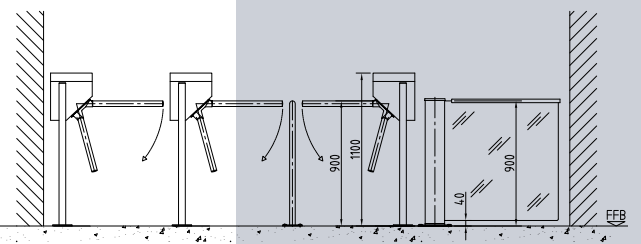
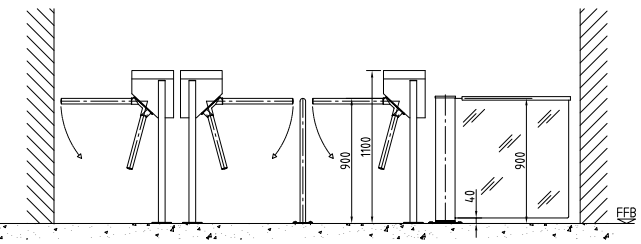


Assembly diagram

for instance TPB-E02



for instance TPB-S03



The logo for KABA, featuring the word "KABA" in a bold, stylized, sans-serif font. The letters are dark blue with a white outline, and a registered trademark symbol (®) is located to the upper right of the letter 'A'.

KABA®

Kaba Gallenschütz GmbH
Nikolaus-Otto-Strasse 1
77815 Bühl
Germany
Tel. +49 (0) 7223/286-0
Fax +49 (0) 7223/286-111
info@kgb.kaba.com

www.kaba-gallenschuetz.de