



KABA®

Kaba exos® sky:
Making security straightforward



2

Professional online access control: So not everyone can access everywhere

Do you know how many people currently have a key to your rooms? Who actually locks up at the end of the day, and where, and indeed whether they lock up at all? Would you like to streamline your key management system and no longer have to replace all cylinders whenever a key is lost? Then you should take a closer look at the Kaba exos sky online access control system.



Over the next ten years, the buildings management department of the Zurich municipal authority in Switzerland is going to be harmonizing all its lock systems in around 130 schools using LEGIC keys. The building entrances will be safeguarded using the Kaba exos sky electronic access control system. Whenever a key – for example to an IT room – is lost, it is immediately blocked in the system.



Decotrade AG in Zug/ Switzerland is a subsidiary of the international consumer goods group Sara Lee and employs around 30 staff. Kaba exos sky ensures state-of-the-art protection of people and valuables in the company. It can be efficiently integrated into the existing company network and can be operated using the existing computer workstations.



In the extension built onto the Juan Canalejo University Clinic in La Coruña/Spain, Kaba exos sky provides a predefined group of people individual access to the laboratories and the storerooms for pharmaceuticals and medicines. The possibility of evaluating movements online guarantees comprehensive control over these rooms.

Trust is good, control is better

Unfortunately, this principle is more pertinent than ever nowadays. Even small and medium-sized companies have to ensure optimum protection for data archives, laboratories, computer rooms, etc. – against theft just as much as against attempted sabotage. The increase in burglaries and vandalism means that efficient access control systems are also required in public buildings and apartment complexes.

The value-for-money way to an online future

With Kaba exos sky, you can now enter the world of professional online access control easily and inexpensively. The system has been specifically designed for applications involving up to 1000 persons and offers everything you need for greater security with less complexity.

Greater security, less complexity

Whether as a new installation or to supplement existing mechanical and mechatronic locking systems – Kaba exos sky organizes the access control to the building and the interior rooms as well as signalling alarms and logging events round the clock. Thanks to automatic time control of the doors, there is no need for door patrols after business hours.

Lost keys are no longer a problem

Using Kaba exos sky, you can forget all of the bothersome form-filling that is otherwise involved when keys are issued and checked. And if another key is lost, it is no longer a problem: The lost key can be immediately blocked from any location, therefore expensive emergency call-outs and replacements of lock cylinders are finally things of the past.

Kaba exos® sky

- Comprehensive security.
- User-friendly operation.
- Contactless access identification also integrated in the key.
- Flexible, straightforward administration of persons and access rights.
- Online monitoring of doors.
- Automatic alarm signalling to external locations in emergencies.
- Online blocking instead of cylinder replacement in case of key loss.

Swiss quality for easy access control



4

A wide range of flexible functions: So that everything is clearly controlled

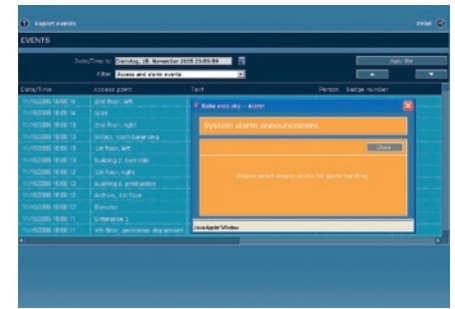
Do you want to have clear control over who should have access to where and when? Do you want an alarm to be signalled to the relevant authorities automatically in an emergency? Do you think it would be a good idea to be able to track at any time who has been in your rooms? Kaba exos sky offers you all this and more.



A graphical overview of each zone indicates when and how access is possible. In this way, for example, identification with badges can be adequate during office hours whereas a PIN code or biometrical verification may be additionally required outside hours.



Graphical visualization of the door statuses means that control of the doors is possible at any time. Authorized users can directly release or block individual doors from there.



If there is an alarm – for example if a door is forced open – the authorized operator is immediately informed by the system and can react accordingly. Automatic logging of all events in the system enables them to be evaluated at any subsequent time.

Everything in one system

Kaba exos sky safeguards all conventional door types in one system. In addition, it controls turnstiles, motor bolts, panic locks, magnetic clamps, etc. – at a low cost and with total reliability. Access rights for up to 16 floors can also be controlled by integrating elevators into the system.

Central management of access rights

The access rights are set up using your existing office PCs based on your organizational structures directly in Kaba exos sky and are allocated to the persons. In addition, you can use PIN codes or biometric readers for increased security requirements. The access rights can be changed, lost keys and badge cards blocked directly from the PC – if necessary also by authorized external organizations such as security service providers etc.

Online control

Kaba exos sky fully automatically controls locking and releasing of doors at set times – for the main access doors, for example. The screen permanently displays which doors are currently released, unlocked or locked.

Active protection by intelligent alarm handling

In emergencies, Kaba exos sky automatically sends an e-mail or SMS to the responsible persons. Using automatic logging, you can also establish who has used which door and when. Alarm systems can also be integrated into the system: In this case, deactivation and activation are harmonized with the access rights to prevent any unpleasant and expensive false alarms.

Kaba exos[®] sky

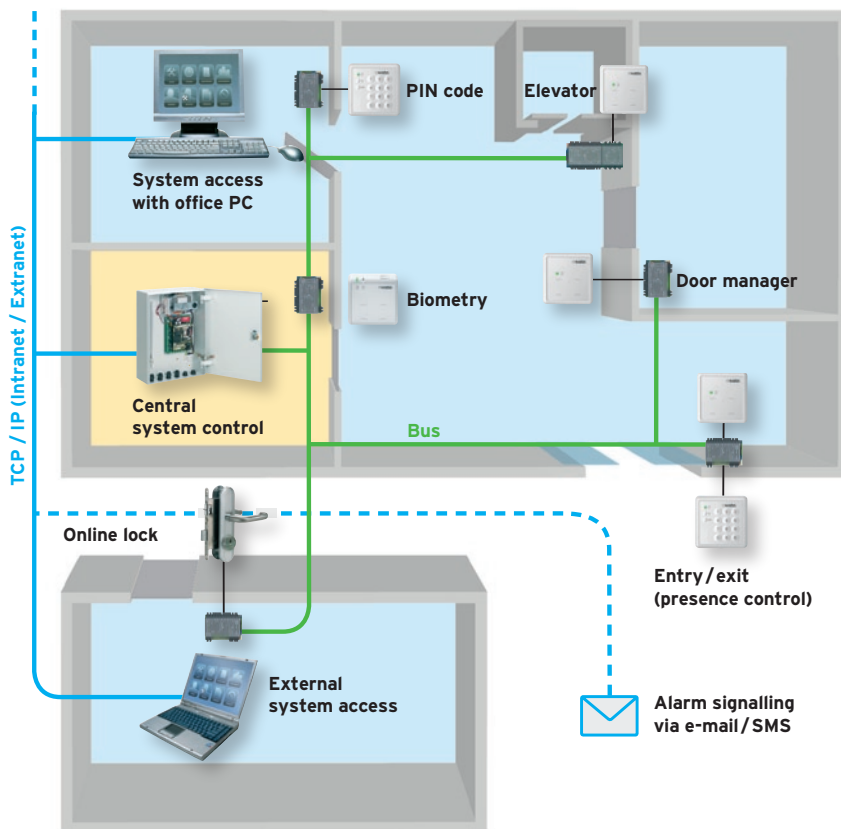
- Safeguarding up to 32 doors and managing access rights for up to 1000 persons.
- Elevator control over up to 16 floors.
- Additional authorization check by PIN code or biometry in case of increased security requirements.
- Controlled release of individual doors during office hours.
- Graphical visualization of the door statuses on screen.
- Online connection to the alarm system, direct arming by badge.
- Logging and evaluating of staff movements within the building.

Swiss quality for easy access control



Pocket-size state-of-the-art technology: So it functions completely intuitively

Would you like to improve your security markedly without needing to spend more money on IT infrastructures? Do you think that it should be possible to start up your online access control system without any fuss and bother? Would you like your company security to be guaranteed to be straightforward? Then you are perfectly served with Kaba exosky.



Kaba exos sky –
plain and simple

Independent and available at any time

The core of Kaba exos sky is the system's own access hub. This integrates a high-performance computer, the system software and the database. The hub operates independently and guarantees the permanent availability of the system. You use existing office PCs for operation. Authorized persons can also access the system from an external location.

Intelligent door management

The access hub communicates via a standard bus with the door managers installed at each access point. These automatically control and monitor all door components as well as electronic locks, locking cylinders, PIN code and biometric registration units.

Uncomplicated startup with Plug and Play

Kaba exos sky is supplied ready to operate and the components are installed with Plug and Play. This means there is no need to install software.

Self-explanatory operation

The intuitive graphical interface is easy to understand and makes operating Kaba exos sky child's play – even if it is only used occasionally.

Kaba exos[®] sky

- Startup with Plug and Play.
- Simple, web-based operation with Microsoft[®] Internet Explorer via Intranet/Extranet.
- Password-protected, function-oriented system access via existing office PCs – no additional computers and programs required.
- Independent system access hub for the entire data management, control and communication.
- Guaranteed availability – even when PCs are switched off.
- Automatic data backup via e-mail.

Swiss quality for easy access control



An investment in the future that pays off: So the costs are amortized more rapidly

Do you think that security is a valuable commodity nowadays, although one that will have to remain affordable? Do you plan your investments so they also retain their value in the future? And do you want to keep operating and maintenance costs for access control to a minimum? Then you should contact your local Kaba partner to discuss Kaba exos sky without delay.



Ralf Weidmann, Security Officer of the buildings management department of the Zurich municipal authority in Switzerland: "We have exhaustively tested Kaba exos sky for possible weak points and attacks by hackers. We are totally convinced of the security concept provided by this system."



Roman Müggler, CEO of Decotrade AG, Zug/Switzerland: "We like the operating functions and the clearly structured graphical display in the web browser. The system has been designed to be highly user-friendly and we always find the functions we need."



Jose Carlos Garcia, CEO of GADITEC/Spain: "We were working on a very tight budget in the Juan Canalejo University Clinic project. We selected Kaba exos sky because we found the optimum price/performance ratio convincing. Our exacting requirements in terms of installation and security were met – without additional costs."

Security with Swiss quality

With Kaba exos sky, you are relying on the latest technology from a leading specialist for organizational and security solutions. Founded in 1862, the Swiss company Kaba nowadays satisfies the most exacting requirements in terms of security and reliability.

Value-for-money purchase and installation

Kaba exos sky has been specifically designed as a streamlined online access control system, therefore its purchase and startup costs can be reduced to a minimum. Existing mechanical and mechatronic Kaba locking systems can be integrated into the online system. The installation costs are restricted to cabling the door components.

Long-term protection of investment

Using the wide selection of understated components and identification media, you can assemble Kaba exos sky exactly in accordance with your requirements and integrate it discreetly into the building architecture. All devices are upward compatible: As your requirements increase, the peripherals you are already using as well as the existing cables are adopted into the large Kaba exos 9300 system. This guarantees long-term protection for your investments.

Well advised, worldwide

There are authorized Kaba partners in every region who can provide you with a full range of services. Contact them, they'll be happy to advise you.

Kaba exos® sky

- Innovative technology with Swiss quality.
- Regional consulting worldwide by authorized Kaba partners.
- Cost-efficient planning, installation and startup.
- Flexible expansion and conversion to large systems when your requirements grow.

Swiss quality for easy access control

Online access control system Kaba exos[®] sky: Just what you need



Access hub



Door manager



Elevator control

Access hub for system control

The core of the system is ready to operate immediately. Equipped with a high-performance industry PC of the latest generation as well as an integrated database and software, the access hub controls, monitors and manages up to 32 doors independently via a field bus. It sends alarms via e-mail if necessary. It is connected via the existing network – operation is possible via existing office PCs or laptops.

Alarm center extension module

This extension module activates or deactivates external alarm systems via the access control. Four or eight alarm zones can be controlled, depending on the configuration.

Door manager for independent monitoring

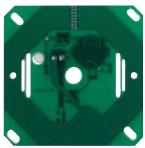
The door managers are installed in the secure inner area. Each of them independently controls and monitors one door including the reader and all door components – even if communication with the access hub is interrupted. The standard LEGIC, Wiegand and Clock/Data interfaces enable LEGIC registration units and readers from various manufacturers to be connected. This ensures that there is a free choice of media (e.g. LEGIC, Mifare, Hitag).

Compact door manager

As a variant, door managers with an integrated LEGIC registration unit are available (compact reader for doors in the inner area).

Extension module for elevator control

The extension module makes it possible to operate an elevator control. It is started up simply by plugging into the door manager. Up to 16 floors can be controlled with a maximum of two extension modules per door manager.



Registration units

Mechatronic

Identification media

Discreet and elegant LEGIC registration units

Antennas connected to the door manager pick up the identification media and allow access to authorized persons. They are installed either on the surface or concealed in the walls, in metal section frames, light switches, hand rails or directly in the door panels.

Checking the PIN code

Antennas with an additional keypad for PIN code entry can be used for more exacting security requirements (e.g. access outside office hours).

Fingerprint recognition

Especially sensitive areas such as server rooms, archives or laboratories can be additionally safeguarded using biometric registration units.

Online lock

The Kaba online lock is a self-locking panic lock which is suitable for installation in escape and rescue routes or on doors with high security requirements. The access authorization is checked by the LEGIC registration unit integrated in the security fittings.

Online locking cylinder

The Kaba online locking cylinder makes it possible to connect the mechanical locking system to the electronic access control system. The access authorization is checked by the integrated LEGIC registration unit. The locking cylinder is released electronically.

Contactless LEGIC identification media

All persons are issued with an identification medium such as a key, a badge card or a key-ring pendant. The LEGIC badges are based on contactless RFID technology and comply with the ISO15693 and LEGIC-RF standards. The LEGIC security and encryption concept has been proven worldwide and offers total forgery and manipulation security.

Other identification media

Kaba exos sky supports media from various manufacturers such as Mifare, Hitag and Desfire.

Kaba® and Kaba exos® are registered trademarks of Kaba AG.
LEGIC® is a registered trademark of LEGIC Ident systems.
Microsoft® is a registered trademark of the Microsoft Corporation.
Hitag® and Mifare® are registered trademarks of Royal Philips Electronics.

Status: 08/07

The KABA logo is displayed in a bold, blue, sans-serif font. The letters are stylized with a slight shadow effect, giving it a three-dimensional appearance. A registered trademark symbol (®) is located to the upper right of the letter 'A'.

Kaba (UK) Ltd

Lower Moor Way
Tiverton Business Park
GB-Tiverton, Devon EX16 6SS
Phone +44 870 000 5625
Fax +44 870 000 5397
www.kaba.co.uk

Kaba Security Pte Ltd.

Block 203A, Henderson Road
#07-03, Henderson Industrial Park
SGP-Singapore 159546
Phone +65 6275 1211
Fax +65 6275 1233
www.kaba.com.sg

Kaba Ltd.

2108 & 1901 Futura Plaza
111-113 How Ming Street
Kwun Tong
Kowloon
Hong Kong
Phone +852 2375 6110
Fax +852 2406 2602
www.kaba.com.hk

www.kaba.com