

Kaba remote reader

Kaba remote reader

The **remote reader** is an access system that triggers an opening pulse once an authorised medium has been identified.

The access authorisation is indicated optically and acoustically on the recording unit.

The remote reader consists of a recording unit, installed at the identification point, and separate control unit.

The control unit can be fitted at a location safe from sabotage and is connected to the recording unit by a coaxial data cable.

Remote reader area of user

The remote reader can operate, for example, electric strikes, motor locks, releasable locks or motor cylinders. It is particularly suited to outside areas (tamper-proof).

LEGIC or MIFARE Technology

Control unit technical data

Dimensions (W x H x D)

Control unit 70 x 106 x 45 mm

Power supply

Ext. Supply 12 - 27 V AC / 50-60 Hz,
10 - 34 V DC

Power consumption Typically 1.2 W (max. 2.2 W)

Interfaces

1 x relay output max. 27 V AC / 60 VA or
max. 34 V DC / 60 VA changeover
contact

1 x digital input For potential-free contacts

1 x digital input (online only) max. 5 V DC with integrated power
supply and shared ground

Recording unit Recording unit with or without key-
board (keyboard online only)

Connection to the recording unit Coaxial cable, type RG174/U, maxi-
mum cable length 30 m

RS-485 For connection to a higher control
system (online only)

Programmer Programmer terminal for firmware
update

Serial terminal For expansion modules
(e.g. Kaba exos IC8/OC8, online only)

Operating environments

Protection class IP40

Temperature - 25 ... + 70 °C

Humidity 0 ... 95% rH, non-condensing

Climate Not suitable for corrosive atmos-
pheres (chlorine, ammonia)

Installation

Control unit Standard 35 mm T-rail (DIN 50022)

Identification technologies (RFID)

MIFARE DESFire

classic

LEGIC advant

prime

Frequency 13.56 MHz

Versions

Recording units in various colours

Recording units in various protection classes and sizes
(see order options)

Assembly types: Surface mounting (AP) and flush
mounting (UP)

Recommended accessories

Product number

1374 Kaba evolo manager software

1460 Kaba programmer

1355-42 Programming cable

1355-42A Programming adapter

Kaba remote reader

Kaba recording units

The **Kaba recording units** are available in various versions for different areas of use, e.g. for installation in light switch sockets or in door frames.

The control unit can be fitted at a location safe from sabotage and is connected to the recording unit by a coaxial data cable.

The different recording units can be found at the Kaba remote readers order options.

The pictures and dimension drawings be found at the chapter individual parts.

Kaba recording unit 410 print

Dimensions W x H x D 70 x 70 x 13 mm

Operating environments

Protection class -

Temperature - 25 ... + 70 °C

Humidity 0 ... 95% rH, non-condensing

Climate Not suitable for corrosive atmospheres (chlorine, ammonia)

Installation On-site switch or socket range

Scope of supply 1 recording unit print

Covers from other providers

The following covers are suitable for installing the Kaba "Print" recording unit.

Provider	Type
Amacher	Basico Domino
Busch-Jäger	-
Feller	edizio due pluggable
Gira	E2 Event Area S-Colour Standard
Jung	CD 500 CD Play DT 550
Legrand	Diplomat

Kaba recording unit 401 SL - UP

Dimensions W x H x D 88.5 x 88.5 x 19.4 mm

Colour black/silver

Operating environments

Protection class IP54 with sealing mat

Temperature - 25 ... + 70 °C

Humidity 0 ... 95% rH, non-condensing

Climate Not suitable for corrosive atmospheres (chlorine, ammonia)

Installation Flush mounting assembly with back wall

Scope of supply 1 Recording unit SL - RFID
1 Back wall
1 Sealing mat

Kaba recording unit 402 SL - AP

Dimensions W x H x D 88.5 x 88.5 x 26.4 mm

Colour black/silver

Operating environments

Protection class IP40

Temperature - 25 ... + 70 °C

Humidity 0 ... 95% rH, non-condensing

Climate Not suitable for corrosive atmospheres (chlorine, ammonia)

Installation Surface mounting assembly with spacer frame

Scope of supply 1 Recording unit SL - RFID
1 spacer frame

Kaba recording unit 415 LA-PC

Dimensions W x H x D 32 x 48.5 x 18.5 mm

Colour black

Operating environments

Protection class IP55

Temperature - 25 ... + 70 °C

Humidity 0 ... 95% rH, non-condensing

Climate Not suitable for corrosive atmospheres (chlorine, ammonia)

Installation Cable feed for flush mounting

Scope of supply 1 recording unit LA-PC

Kaba recording unit 411 FE-white-IP40-UP

Dimensions W x H x D 87.5 x 87.5 x 20 mm

Colour white

Operating environments

Protection class IP40

Temperature - 25 ... + 70 °C

Humidity 0 ... 95% rH, non-condensing

Climate Not suitable for corrosive atmospheres (chlorine, ammonia)

Installation Flush mounting assembly with back wall

Scope of supply 1 Recording unit print
1 Frontset FE-white-IP40

Kaba recording unit 413 FE-white-IP55-UP

Dimensions W x H x D 87 x 87 x 20 mm

Colour white

Operating environments

Protection class IP55

Temperature - 25 ... + 70 °C

Humidity 0 ... 95% rH, non-condensing

Climate Not suitable for corrosive atmospheres (chlorine, ammonia)

Installation Flush mounting assembly with back wall

Scope of supply 1 Recording unit print
1 Front FE-white-IP55
1 spacer frame

Kaba recording unit 414 FE-white-IP55-AP

Dimensions W x H x D 87 x 87 x 63 mm

Colour white

Operating environments

Protection class IP55 with cable gland

Temperature - 25 ... + 70 °C

Humidity 0 ... 95% rH, non-condensing

Climate Not suitable for corrosive atmospheres (chlorine, ammonia)

Installation Surface mounting assembly with surface mounting housing

Scope of supply 1 Recording unit print
1 Frontset FE-white-IP55
1 Surface mounting housing AP

Kaba remote reader

1356MID, 1356LEA Kaba remote reader

The remote reader consists of a recording unit and the separate control unit.

Versions

1356MID Kaba remote reader, MIFARE

1356LEA Kaba remote reader, LEGIC

Material/Version

- Recording units in various colours
- Recording units in various protection classes and sizes
- Assembly types surface mounting or flush mounting

Scope of supply

- 1 remote reader control unit
- 1 recording unit according to options
- 1 quick guide

Order note/Accessories

- Recording units, see information page
- Detailed information on recording units, see section „Individual parts“

Order options

• Line (LINE):

- E300

• Recording units (ANT):

- 401: SL - UP (flush mounting)
- 402: SL - AP (surface mounting)
- 410: Print
- 411: FE - white - IP40 - UP
- 413: FE - white - IP55 - UP
- 414: FE - white - IP55 - AP
- 415: LA-PC

Order description

Product No./LINE/ANT

e.g. 1356MID/E300/401



1356...

Reader

Kaba remote reader

1356MID	Kaba remote reader	MIFARE
1356LEA	Kaba remote reader	LEGIC

Kaba compact reader

Kaba compact reader

The **compact reader** consists of a recording unit with integrated control unit for flush (UP) or surface mounting (AP).

After identification with an authorised medium, an opening pulse is triggered.

The reader can be installed in a light switch socket.

There are 2 installation variants (surface mount and flush mount) in various protective designs.

Area of use

The Kaba evolo reader is perfect for operating, for example, electric strikes, motor locks, releasable locks or motor cylinders. For entrance to organisations it is recommended to use the compact reader, for outside areas the remote reader is available (tamper-proof).

LEGIC or MIFARE Technology

Compact reader technical data

Dimensions/version

W x H x D (UP 401) 88.5 x 88.5 x 19.4 mm

W x H x D (AP 402) 88.5 x 88.5 x 26.4 mm

Colour black/silver

Power supply

Ext. Supply 12 - 27 V AC 50-60 Hz
10 - 34 V DC

Power consumption Typically 1.2 W (max. 2.2 W)

Interfaces

1 x relay output maximum 27 VAC / 60 VA or
maximum 34 DC / 60 VA
changeover contact

1 x digital input For potential-free contacts

1 x digital input (online only) max. 5 V DC with integrated
power supply and shared ground

Programmer Programmer terminal for firm-
ware update

RS-485 for connection to a higher con-
trol system (online only)

Operating environments

Protection class:
401 IP54 with sealing mat
402 IP40

Temperature - 25 ... + 70 °C

Humidity 0 ... 95% rH, non-condensing

Climate Not suitable for corrosive atmos-
pheres (chlorine, ammonia)

Installation

Flush mounting with back wall

Surface mounting with spacer frame

Background Installation directly on metal or
neutral background, switchable

Identification technologies (RFID)

MIFARE DESFire

classic

LEGIC advant

prime

Frequency 13.56 MHz

Version 401 SL - UP

Dimensions W x H x D 88.5 x 88.5 x 19.4 mm

Colour black/silver

Operating environments

Protection class IP54 with sealing mat

Temperature - 25 ... + 70 °C

Humidity 0 ... 95% rH, non-condensing

Climate Not suitable for corrosive atmos-
pheres (chlorine, ammonia)

Installation Flush mounting assembly with
back wall

Scope of supply 1 Compact reader SL
1 Back wall
1 Sealing mat

Version 402 SL - AP

Dimensions W x H x D 88.5 x 88.5 x 26.4 mm

Colour black/silver

Operating environments

Protection class IP40

Temperature - 25 ... + 70 °C

Humidity 0 ... 95% rH, non-condensing

Climate Not suitable for corrosive atmos-
pheres (chlorine, ammonia)

Installation Surface mounting assembly with
spacer frame

Scope of supply 1 Compact reader SL
1 spacer frame

Kaba compact reader

1357MID, 1357LEA Kaba compact reader

The compact reader consists of a recording unit for flush mounting or surface mounting with integrated control unit.

Versions

1357MID Kaba compact reader, MIFARE
1357LEA Kaba compact reader, LEGIC

Material/Version

- Compact readers in various colours
- Compact readers in various protection classes and sizes
- Assembly types surface mounting or flush mounting

Scope of supply

- 1 compact reader SL
- 1 quick guide
- Further scope of supply, see options

Order note/Accessories

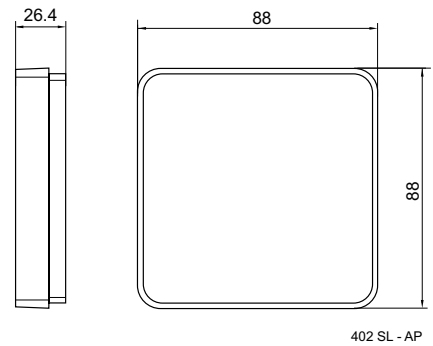
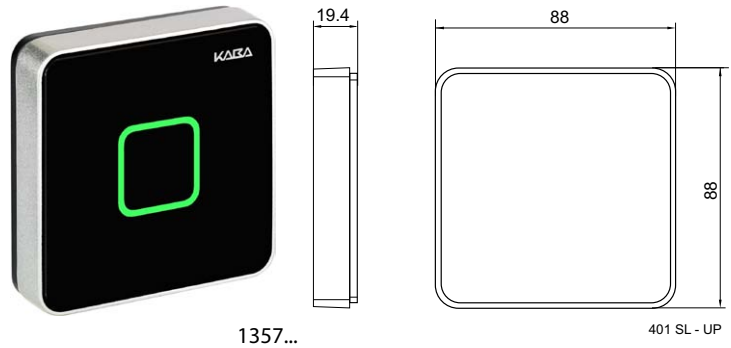
- Recording units, see information page

Order options

- **Line (LINE):**
 - E300
- **Recording units (ANT):**
 - 401: SL - UP (flush mounting)
 - 402: SL - AP (surface mounting)

Order description

Product No./LINE/ANT
e.g. 1357MID/E300/401



Reader

Kaba compact reader

1357MID	Kaba compact reader	MIFARE
1357LEA	Kaba compact reader	LEGIC